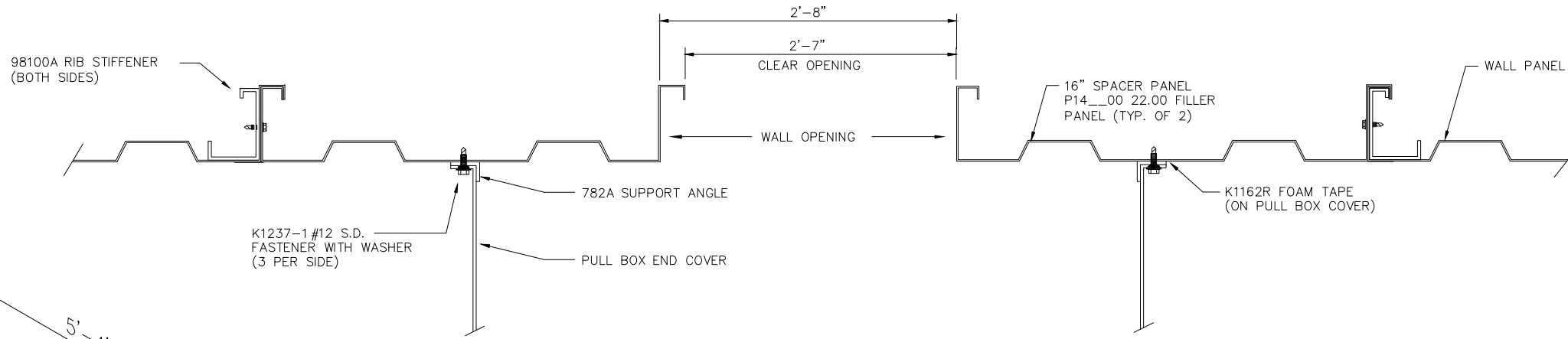
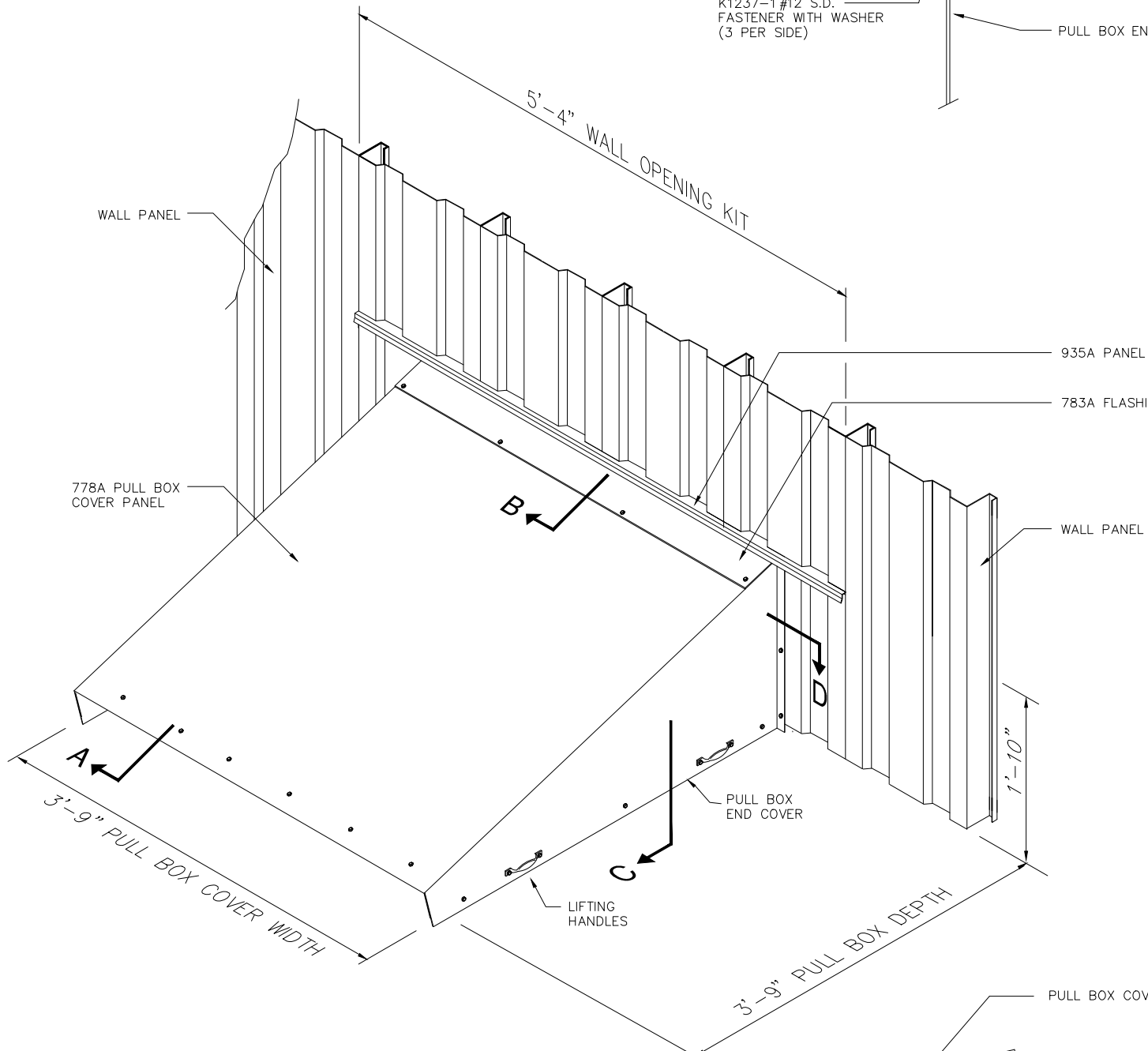


NOTE:

PULL BOX COVER IS DESIGNED TO REST ON CONCRETE PULL BOX WITHOUT ANY PHYSICAL ATTACHMENT EXCEPT FOR THAT SHOWN IN SECTION "D". TO PREVENT DAMAGE DUE TO HIGH WINDS PARKLINE RECOMMENDS SOME TYPE OF ATTACHMENT BE MADE AT ENDS OR LOW SIDE.

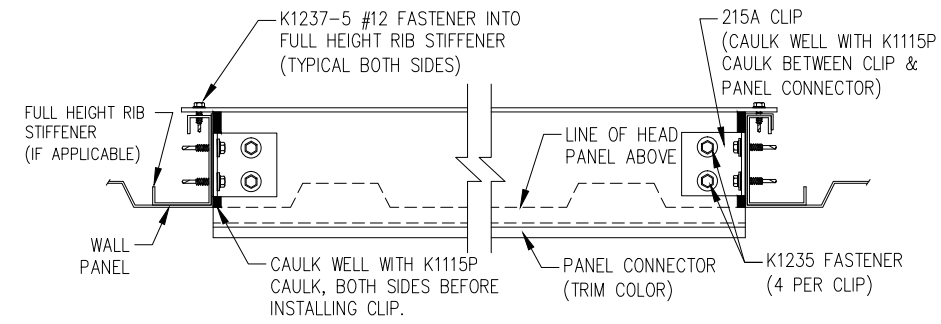


SECTION 'D'

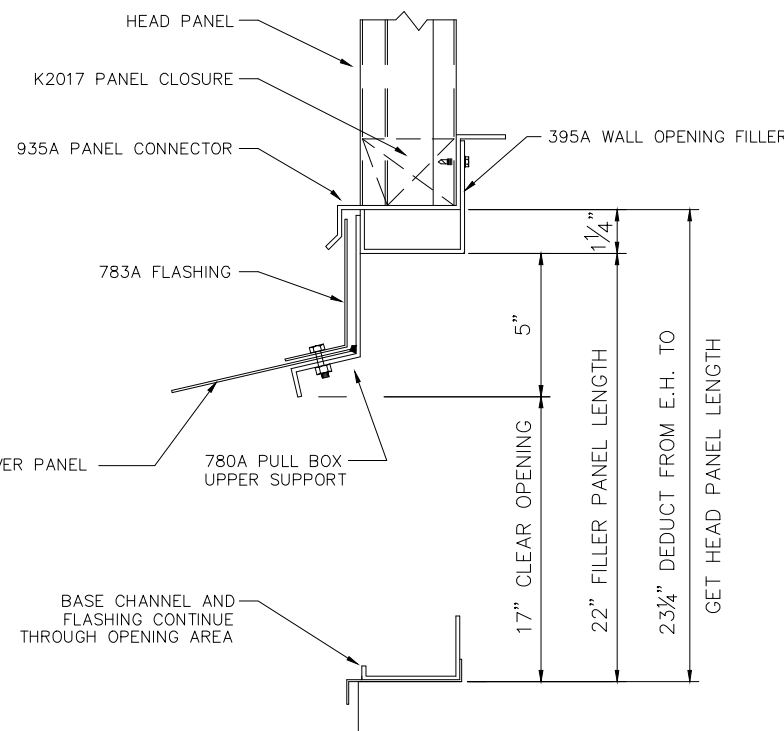


784X PULL BOX COVER ASSEMBLY

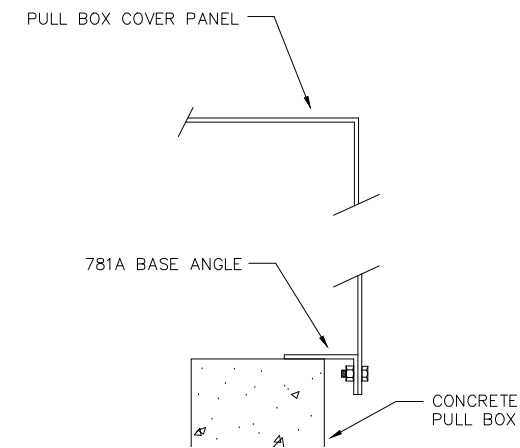
TOTAL WEIGHT = 103#



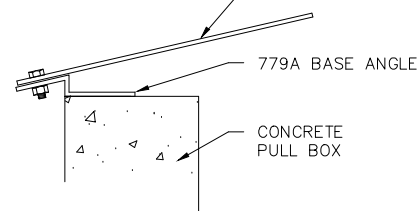
TYPICAL SECTION @ PANEL CONNECTOR



SECTION 'B'



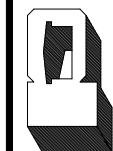
SECTION 'C'



SECTION 'A'

REVISIONS	BY
02-13-02	LM
01-07-05	WBD
08-01-05	RAP
01-12-09	BAS
06-15-09	CS
02-28-12	TLC

PARKLINE, INC.
 RT. 62, ELEANOR INDUSTRIAL PARK
 ELEANOR, WY 25070
 EMAIL: PARKLINE@PARKLINE.COM
 PHONE: 800-786-4855
 FAX: 304-586-3842
 ENGINEER: TOM HARDING
 THARDING@PARKLINE.COM



JOB DESCRIPTION
 PULL BOX COVER FOR
 BUILDING WITHOUT SKID
 SYSTEM

SHEET TITLE
 SECTIONS AND DETAILS

DATE	04-05-01
DRAWN BY	DLR
SCALE	NTS
ORDER NO.	
REVISION	6

PULLBOX-3