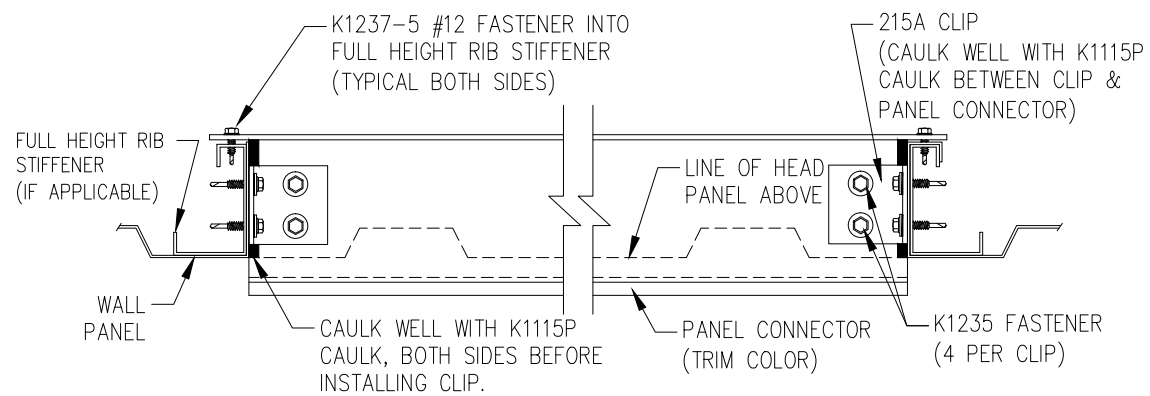
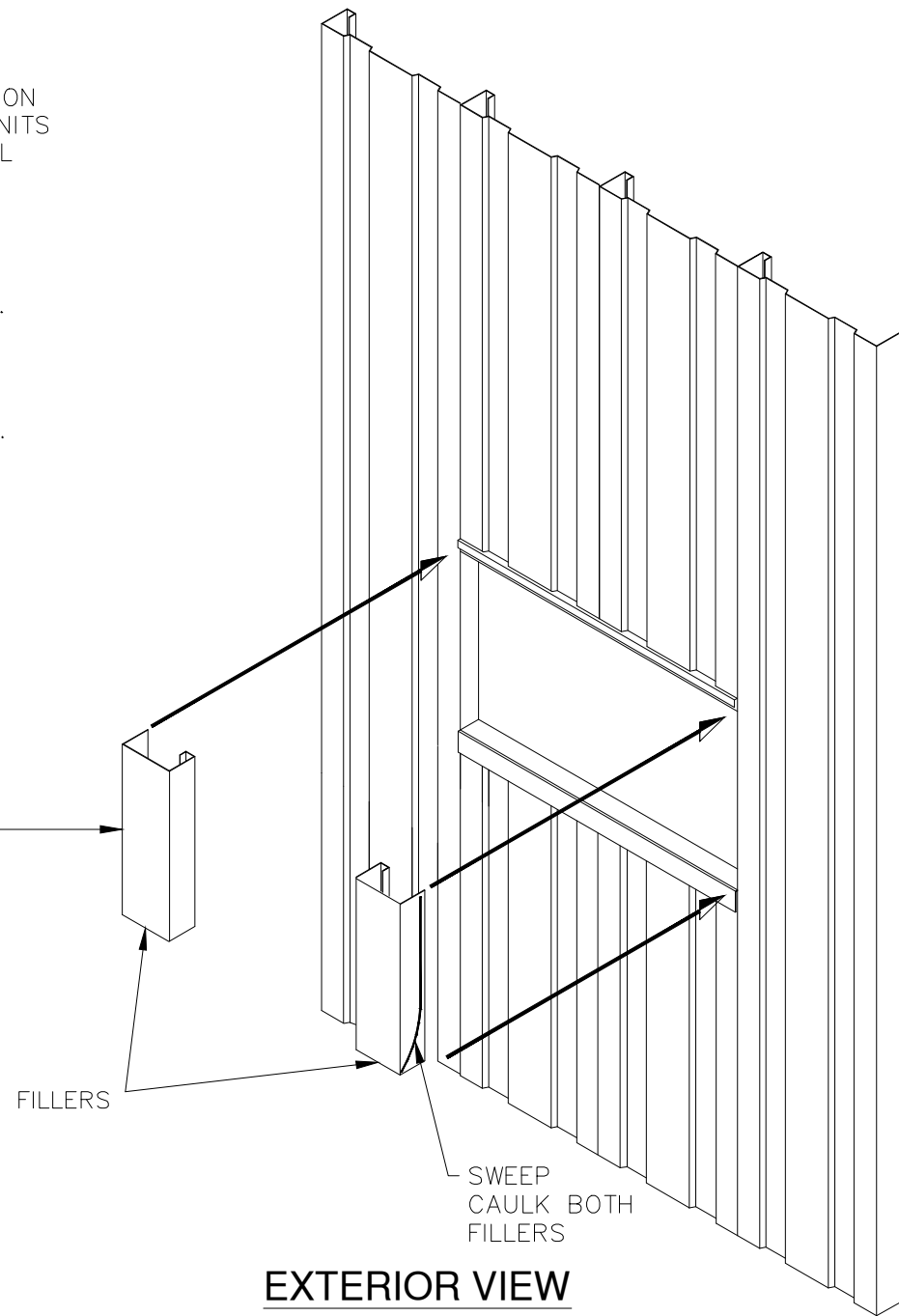


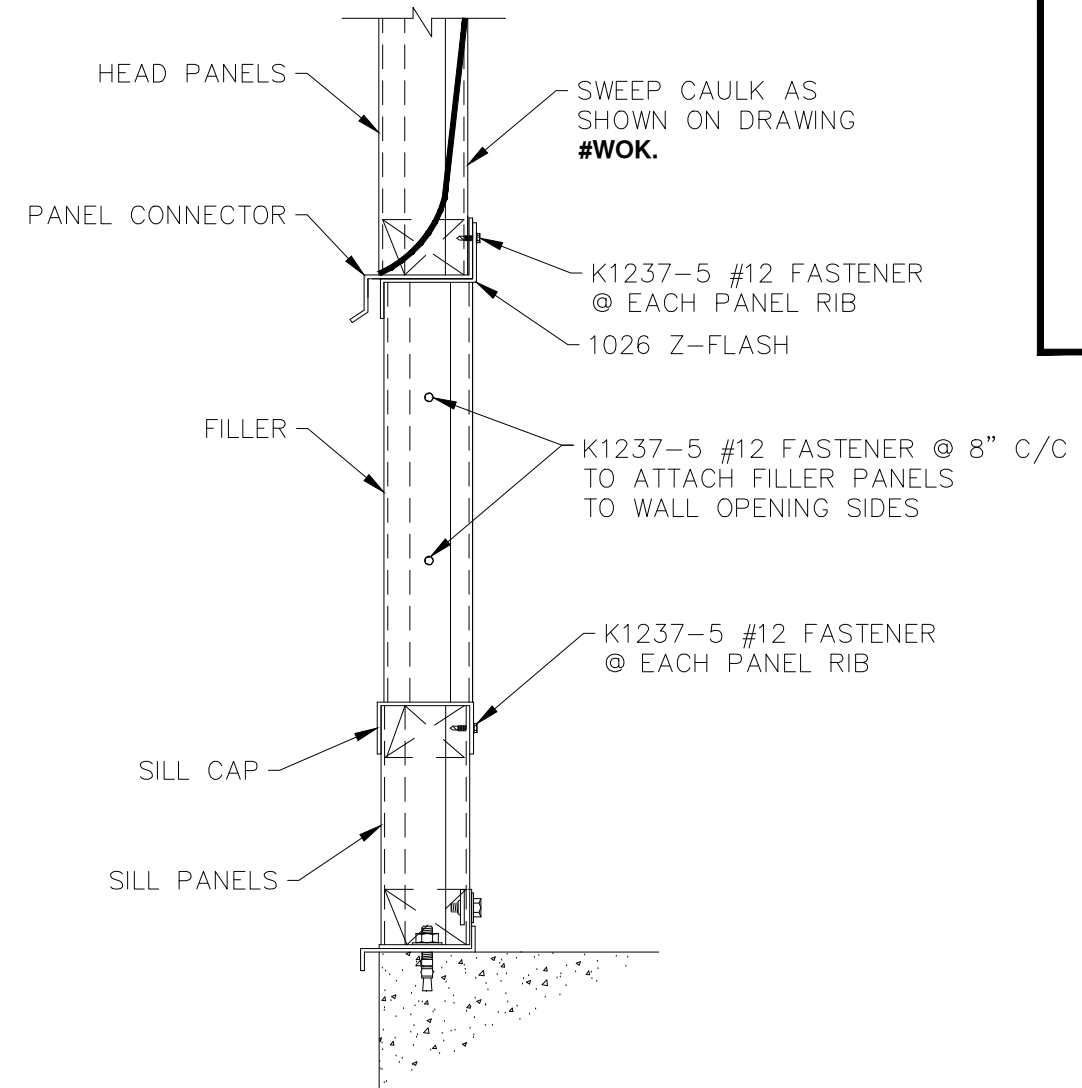
NOTES:

1. WALL OPENING KITS WITH PARTIAL FILLERS ALLOW FOR FIELD INSTALLATION OF EXHAUST FANS, LOUVERS, HVAC UNITS ETC. WITHOUT AFFECTING STRUCTURAL STABILITY OF BUILDING WALL.
2. INSTALL BASIC WALL OPENING KIT PER DRAWING #WOK.
3. 2'-8" WIDE WALL OPENING IS SHOWN. DETAILS APPLY TO ALL WIDTH WALL OPENINGS.
4. FILLER SIZE WILL VARY DEPENDING ON FINISHED OPENING SIZE REQUIRED.
5. CAULK JOINTS OF WALL OPENING TO FILLERS WITH K1115C CLEAR CAULK AFTER INSTALLATION.

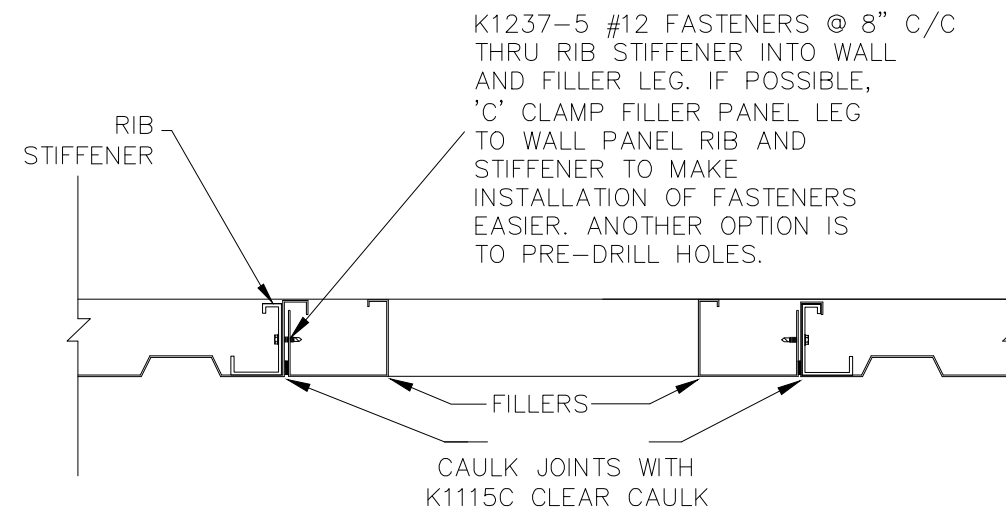
NOTE:
TURN THIS FILLER UPSIDE DOWN FOR FULL RIB NEXT TO OPENING.



TYPICAL SECTION @ PANEL CONNECTOR



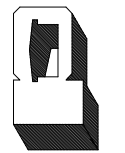
VERTICAL SECTION



HORIZONTAL SECTION

| REVISIONS | BY |
|-----------|-----|
| 02-26-03 | DLR |
| 01-24-05 | DLR |
| 12-28-07 | BAS |
| 06-30-10 | RAP |
| 02-27-12 | TLC |

PARKLINE, INC.
RT. 62, ELEANOR INDUSTRIAL PARK
ELEANOR, WY 25070
PHONE: 800-786-4855
FAX: 304-586-3842
EMAIL: PARKLINE@PARKLINE.COM
ENGINEER: TOM HARDING
THARDING@PARKLINE.COM



JOB DESCRIPTION
WALL OPENING KIT WITH PARTIAL FILLERS INSTALLATION

SHEET TITLE
SECTIONS AND DETAILS

| | |
|-----------|----------|
| DATE | 11-11-98 |
| DRAWN BY | DLR |
| SCALE | NTS |
| ORDER NO. | |
| REVISION | 5 |

WOK-FIL-1