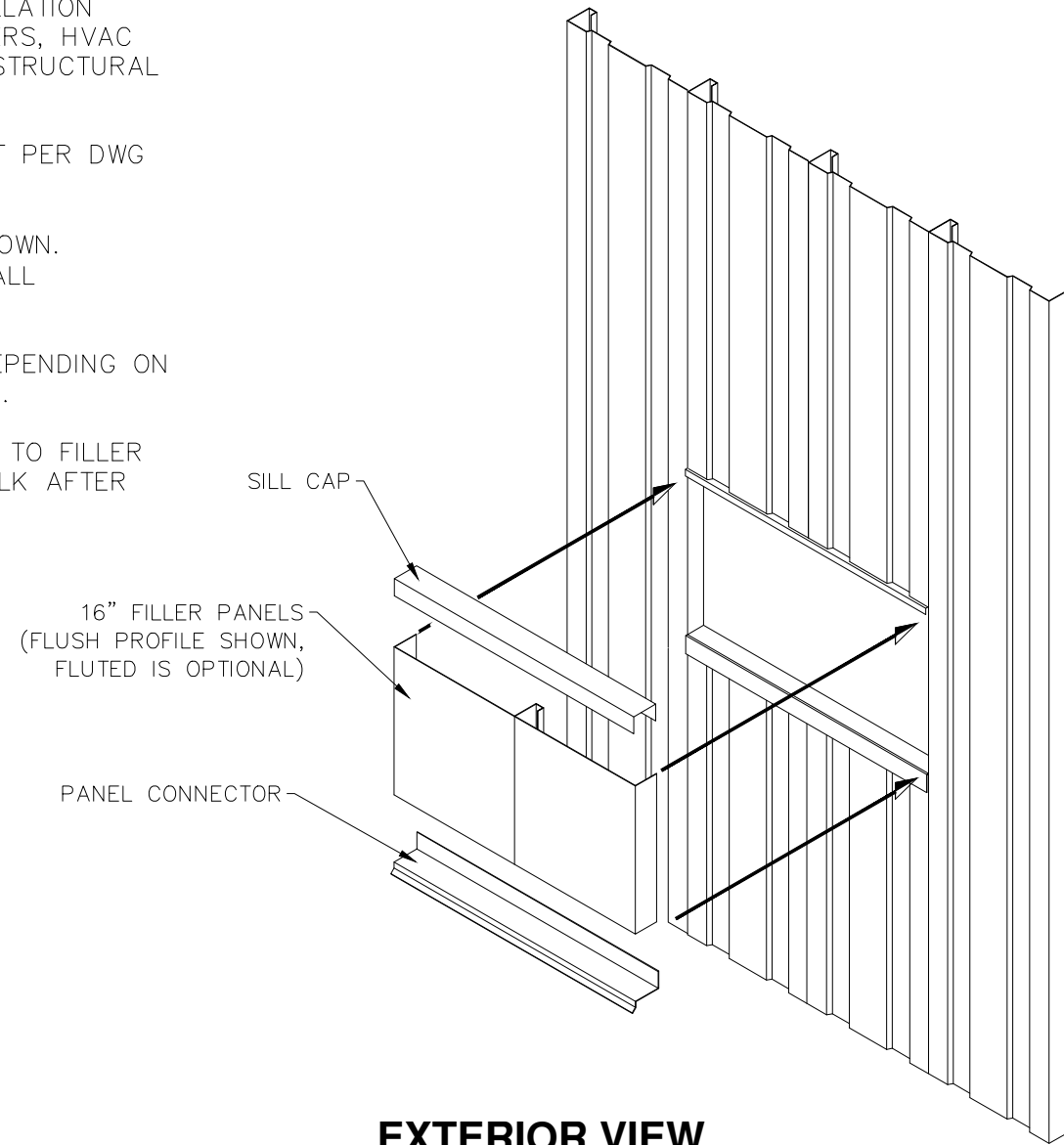
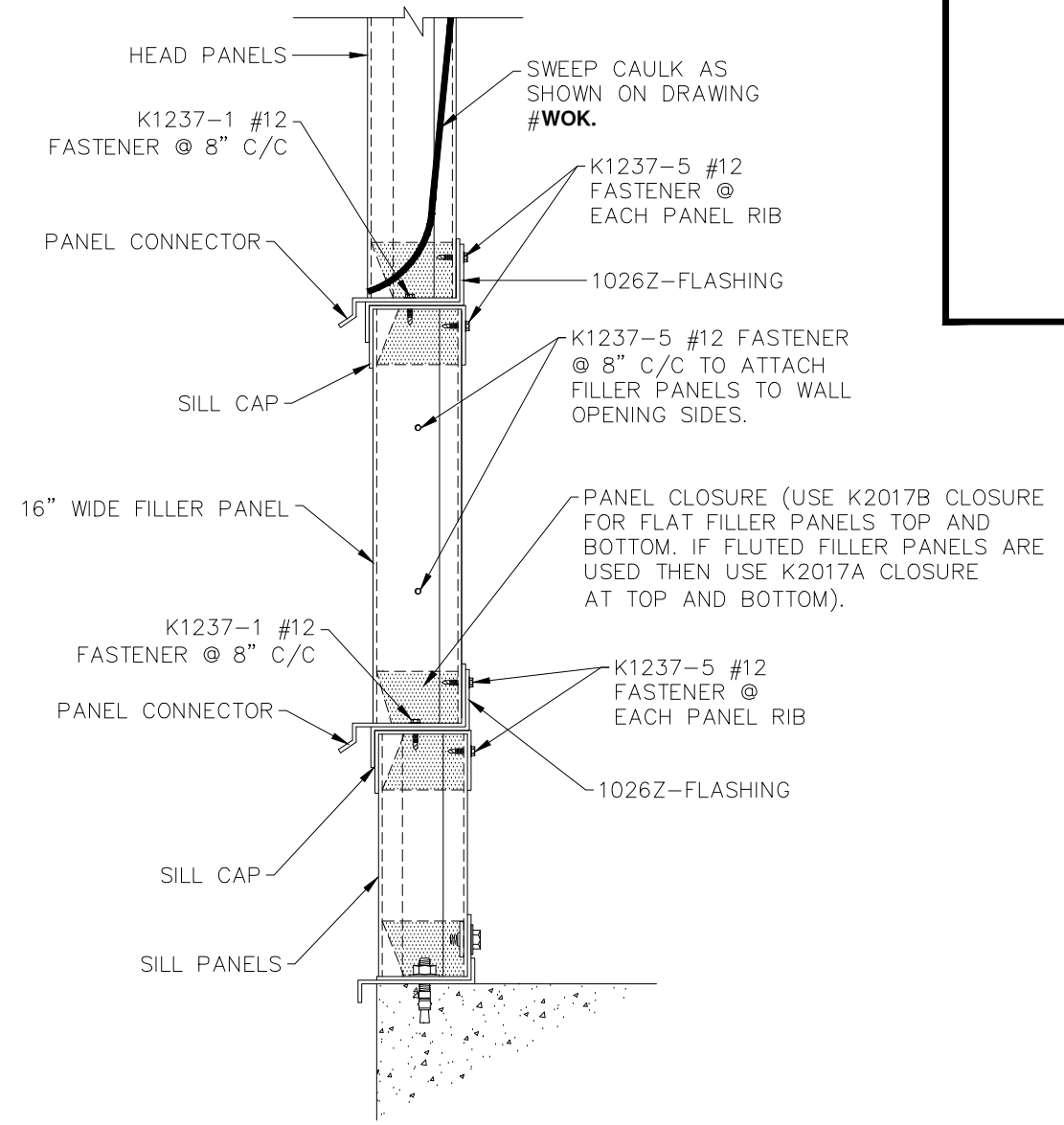


NOTES:

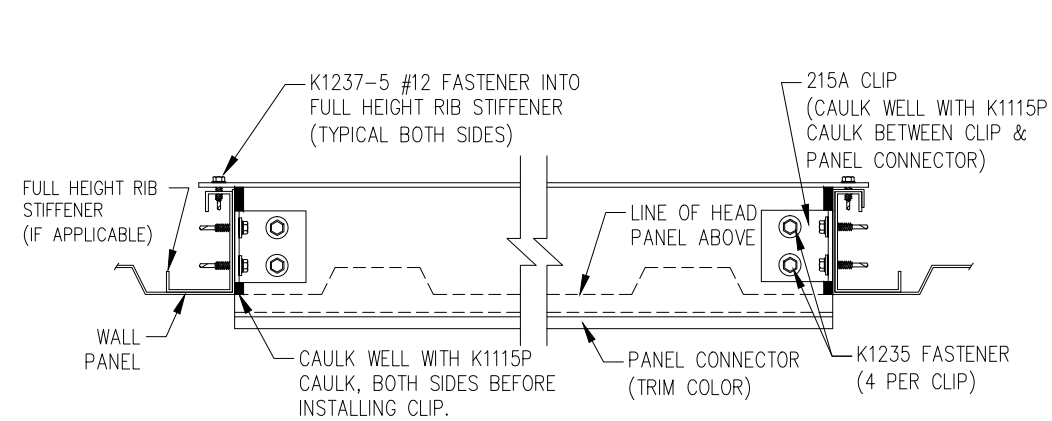
1. WALL OPENING KITS WITH FULL FILLER PANELS ALLOW FOR FIELD INSTALLATION OF PIPES, EXHAUST FANS, LOUVERS, HVAC UNITS ETC. WITHOUT AFFECTING STRUCTURAL STABILITY OF BUILDING WALL.
2. INSTALL BASIC WALL OPENING KIT PER DWG # WOK.
3. 2'-8" WIDE WALL OPENING IS SHOWN. DETAILS APPLY TO ALL WIDTH WALL OPENINGS.
4. FILLER PANEL SIZE WILL VARY DEPENDING ON FINISHED OPENING SIZE REQUIRED.
5. CAULK JOINTS OF WALL OPENING TO FILLER PANELS WITH K1115C CLEAR CAULK AFTER INSTALLATION.



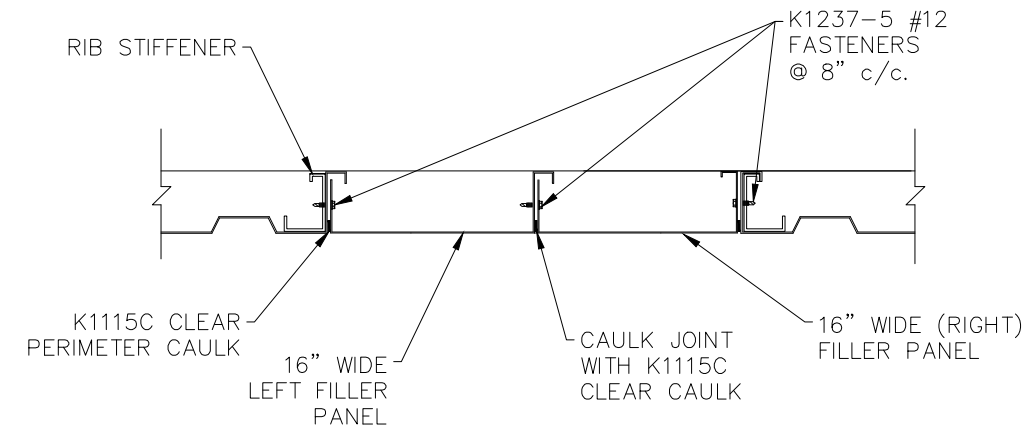
EXTERIOR VIEW



VERTICAL SECTION



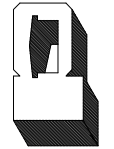
TYPICAL SECTION @ PANEL CONNECTOR



HORIZONTAL SECTION

REVISIONS	BY
9-8-95	CM
11-04-98	DLR
2-2-99	DLR
02-26-03	DLR
01-24-05	DLR
12-28-07	BAS
06-30-10	RAP
02-27-12	TLC

PARKLINE, INC.
 RT. 62, ELEANOR INDUSTRIAL PARK
 ELEANOR, WY 25070
 EMAIL: PARKLINE@PARKLINE.COM
 PHONE: 800-786-4855
 FAX: 304-586-3842
 ENGINEER: TOM HARDING
 THARDING@PARKLINE.COM



JOB DESCRIPTION
WALL OPENING KIT WITH FULL FILLER PANELS

DETAIL

DATE	8-16-95
DRAWN BY	CEM
SCALE	NTS
ORDER NO.	
REVISION	8

WOK-FIL