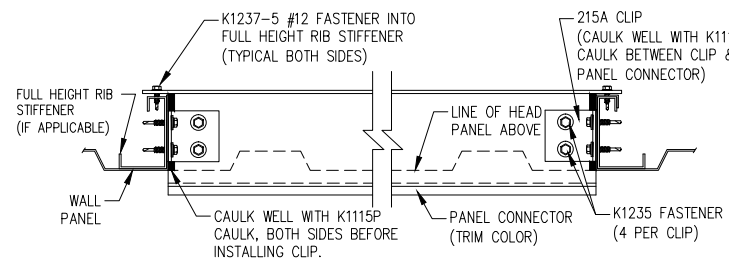
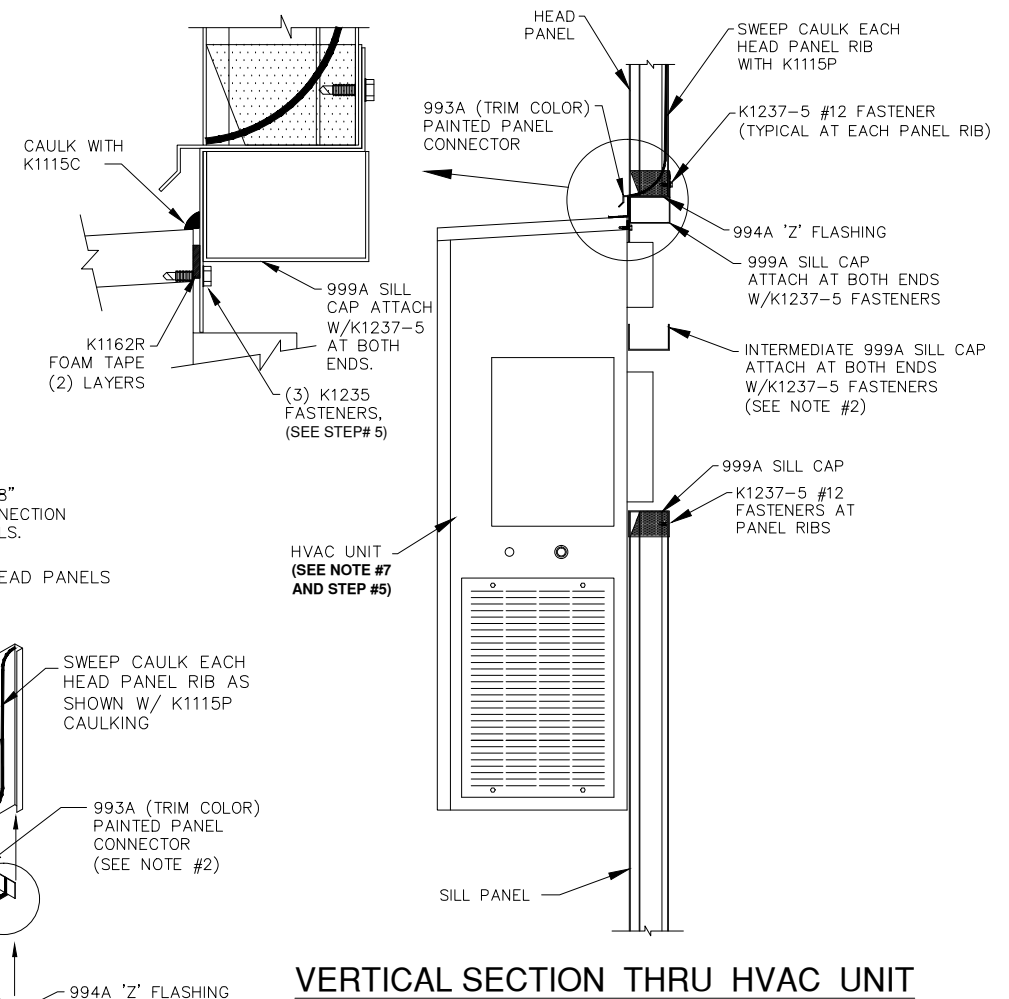
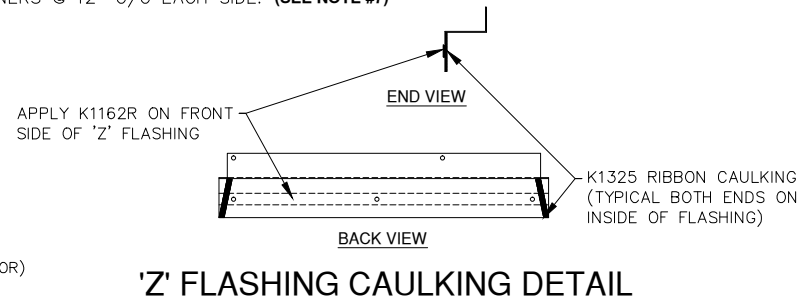
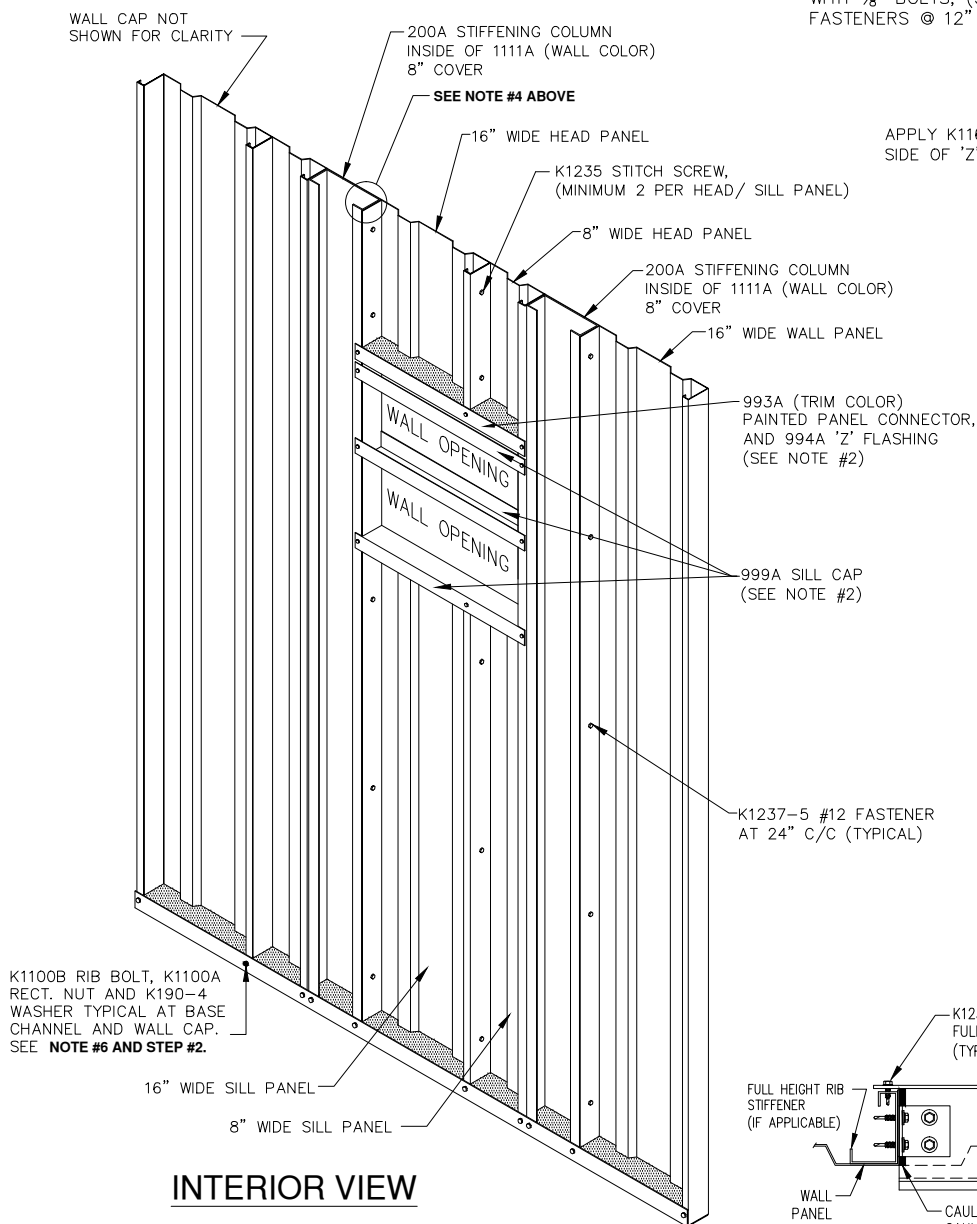
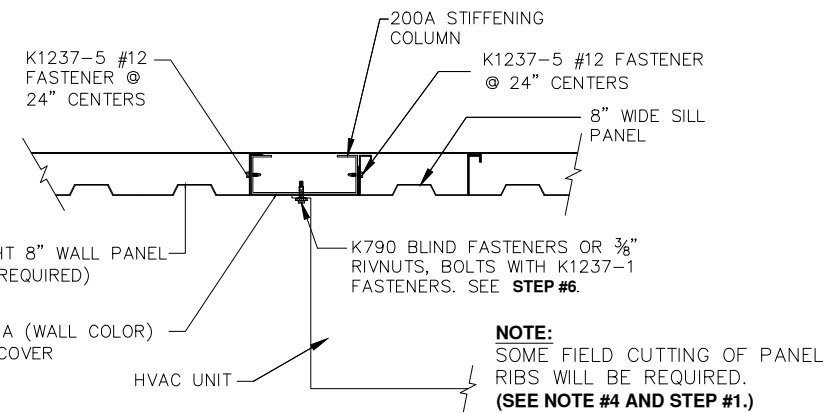


**NOTES:**

1. PAY CLOSE ATTENTION TO CAULKING DETAILS ON DRAWING #WOK, SWP-1 AND THIS DRAWING.
2. STANDARD 993A PANEL CONNECTORS, 994A 'Z' FLASHING AND 999A SILL CAPS MUST BE FIELD CUT FROM 2'-8" WIDE STOCK PARTS.
3. INSTALL BASIC WALL OPENING PER DRAWING #WOK EXCEPT REPLACE THE STANDARD RIB STIFFENERS WITH THE 200A STIFFENING COLUMNS. DETERMINE LOCATION OF INTERMEDIATE SILL CAPS AS SHOWN FOR SUPPORT OF LINER PANELS. ATTACH AT EACH END WITH K1237-5 #12 FASTENERS AT PANEL RIBS.
4. FIELD CUT ANY PANEL RIB THAT INTERFERES WITH THE 200A STIFFENING COLUMN.
5. IF THE BUILDING USES FLAT NON EMBOSSED WALL PANELS REPLACE THE 1111A 8" COVERS WITH 1113A COVERS.
6. FIELD DRILL HOLES AS REQUIRED FOR THE 3/8" RIB BOLTS AT COLUMN LOCATIONS.
7. HVAC UNIT SHOWN IS FOR EXAMPLE PURPOSES ONLY. IF HVAC IS NOT PROVIDED BY PARKLINE, CHECK FOR ADDITIONAL INSTRUCTIONS PACKAGED WITH UNIT.

**INSTALLATION STEPS:**

1. INSTALL BASIC WALL OPENING FOR HVAC OPENING AS SHOWN ON DRAWING #WOK, WITH CHANGES PER **NOTE #3** AND DETAILS ON THIS DRAWING. OMIT STANDARD RIB STIFFENERS AND INSTALL 200A STIFFENING COLUMNS WITH 1111A 8" COVERS ON EACH SIDE OF OPENINGS. 1111A COVERS ARE PROVIDED IN STANDARD LENGTHS. FIELD CUTTING OR SPLICING MAY BE REQUIRED. SOME FIELD CUTTING OF PANEL RIBS WILL BE REQUIRED. (**SEE NOTE #4**)
2. BOLT COLUMNS TO WALL CAP (NOT SHOWN) AND BASE CHANNEL WITH RIB BOLTS, NUTS AND WASHERS. FIELD DRILL AS REQUIRED.
3. FASTEN PANEL LEGS TO STIFFENING COLUMNS WITH K1237-5 #12 FASTENERS @ 24" C/C.
4. FASTEN RIBS OF HEAD AND SILL PANELS WITH K1235 STITCH SCREWS. (MINIMUM 2 PER PANEL)
5. WHEN INSTALLING HVAC INTO OPENING, RAISE UNIT UNTIL TOP OF SUPPLY AIR OPENING CONTACTS BOTTOM EDGE OF 'Z' FLASHING. THIS ALIGNS TOP LEDGE OF HVAC CABINET WITH HOLES IN 'Z' FLASH. INSTALL (3) K1235 FASTENERS.
6. HVAC UNIT INSTALLED ON SITE IS ATTACHED TO WALL WITH A COMBINATION OF (4) K790 BLIND FASTENERS, (2 PER SIDE - FIELD DRILLING REQUIRED), AND K1237-1 #12 FASTENERS @ 12" C/C EACH SIDE. HVAC UNIT INSTALLED AT PARKLINE IS ATTACHED TO WALL WITH A COMBINATION OF (6) 3/8" "RIVNUTS" WITH 3/8" BOLTS, (3 PER SIDE - FIELD DRILLING REQUIRED), AND K1237-1 #12 FASTENERS @ 12" C/C EACH SIDE. (**SEE NOTE #7**)

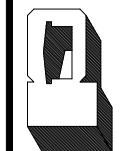


MAKE SURE TO CAULK EACH END OF PANEL CONNECTOR TO LEFT AND RIGHT WALL PANEL RIBS AFTER PANEL CONNECTOR IS IN PLACE. (**BUILD "CAULK DAM" AT NOTCH**)

**CAULKING DETAIL**

REVISIONS	BY
12-26-07	BAS
01-10-08	RAP
11-12-08	KRK
05-06-09	JMC
06-19-09	CS
11-03-09	JMC
06-30-10	RAP
11-24-10	CBP
02-27-12	TLC

**PARKLINE, INC.**  
 RT. 62, ELEANOR INDUSTRIAL PARK  
 ELEANOR, WY 25070  
 EMAIL: PARKLINE@PARKLINE.COM  
 PHONE: 800-786-4855  
 FAX: 304-586-3842  
 ENGINEER: TOM HARDING  
 THARDING@PARKLINE.COM



**WALL MOUNTED HVAC UNIT  
 WALL OPENING INSTALLATION  
 1 TON UNIT ONLY**

JOB DESCRIPTION

SHEET TITLE

**SECTIONS AND DETAILS**

DATE	11-08-07
DRAWN BY	RAP
SCALE	NTS
ORDER NO.	
REVISION	9

**WOK-HVAC-1**