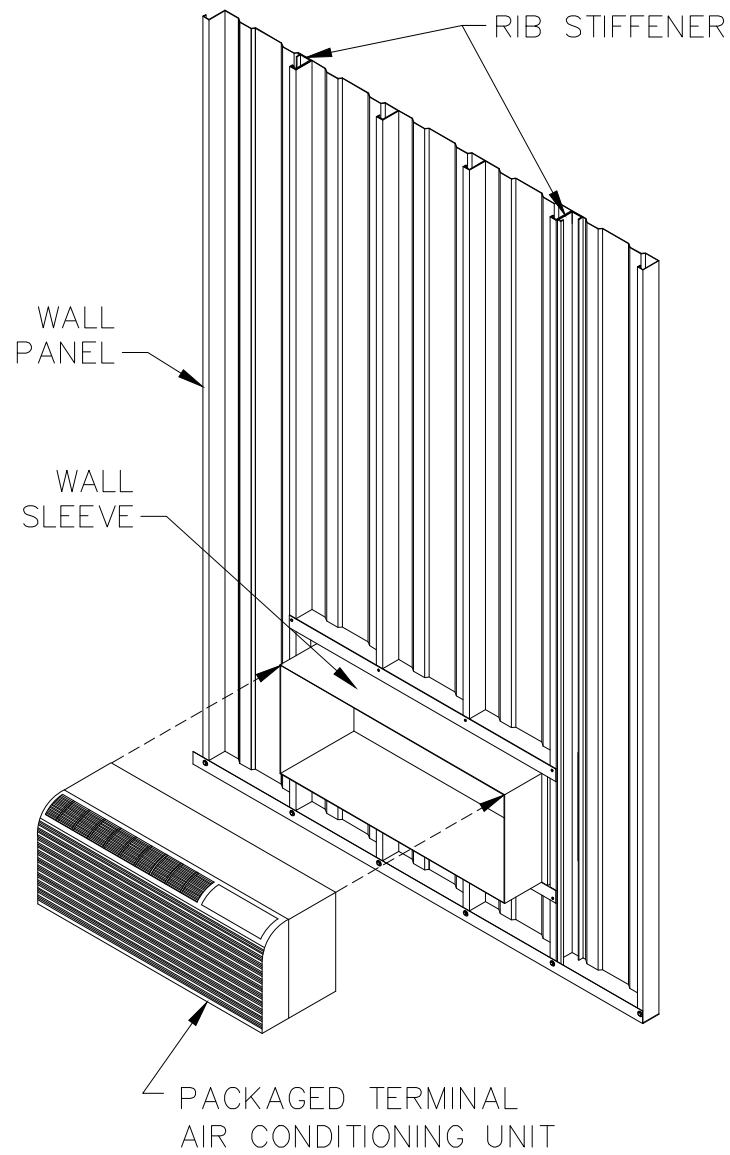
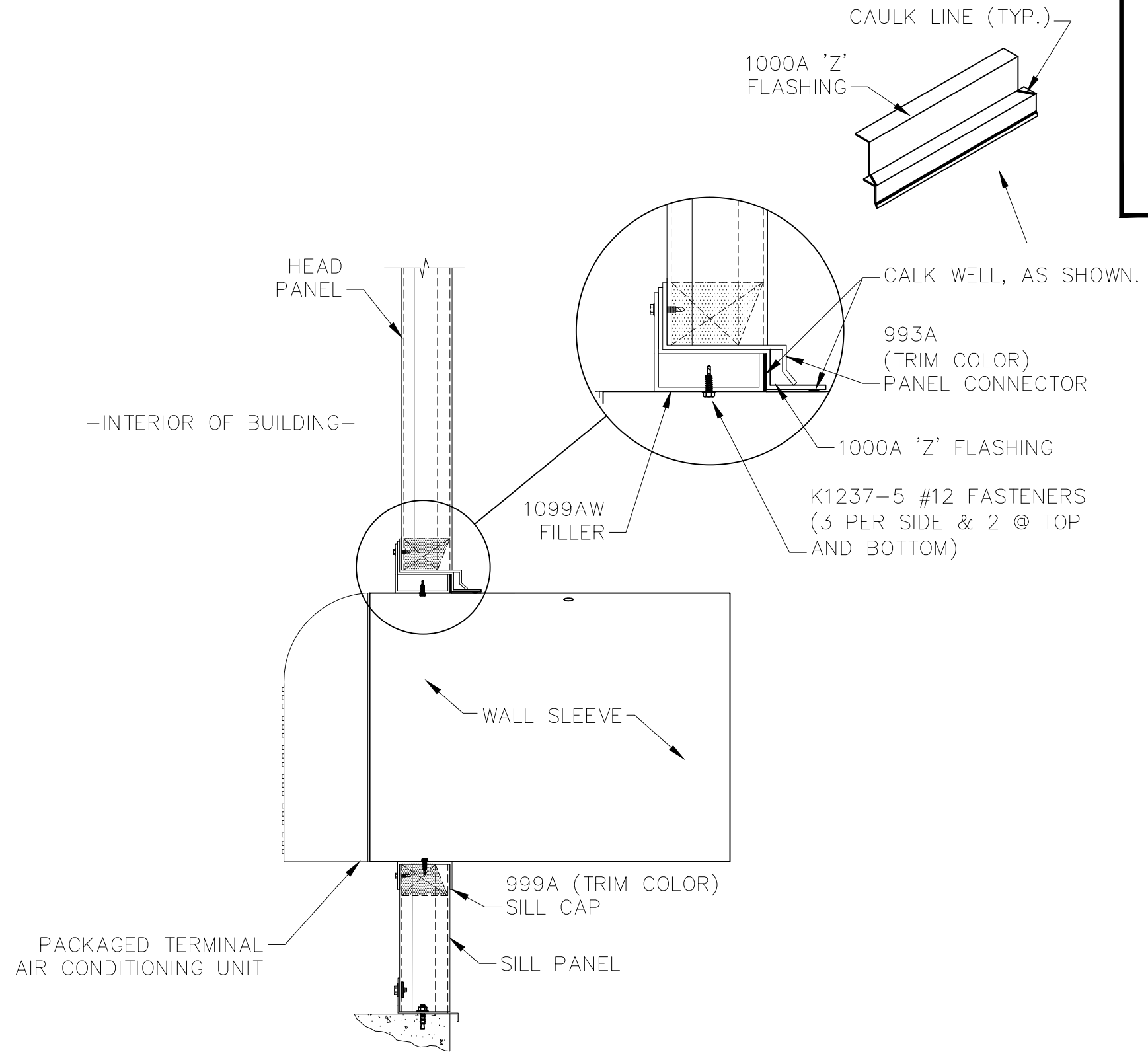


NOTE: REFER TO DWG.# **WOK** FOR BASIC INSTALLATION DETAILS.



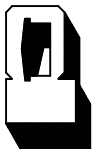
**INTERIOR VIEW**



**CROSS SECTION**

REVISIONS	BY
03-02-11	TLC

**PARKLINE, INC.**  
 RT. 62, ELEANOR INDUSTRIAL PARK  
 ELEANOR, WV 25070  
 EMAIL: PARKLINE@PARKLINE.COM  
 PHONE: 800-766-4855  
 FAX: 304-586-3842  
 ENGINEER: TOM HARDING  
 THARDING@PARKLINE.COM



**JOB DESCRIPTION**  
 THROUGH WALL  
 MOUNTED HEATER / AC  
 INSTALLATION

**SHEET TITLE**  
 SECTIONS AND DETAILS

DATE	02-18-11
DRAWN BY	TLC
SCALE	NTS
ORDER NO.	
REVISION	1

**WOK-TWALL-AC**