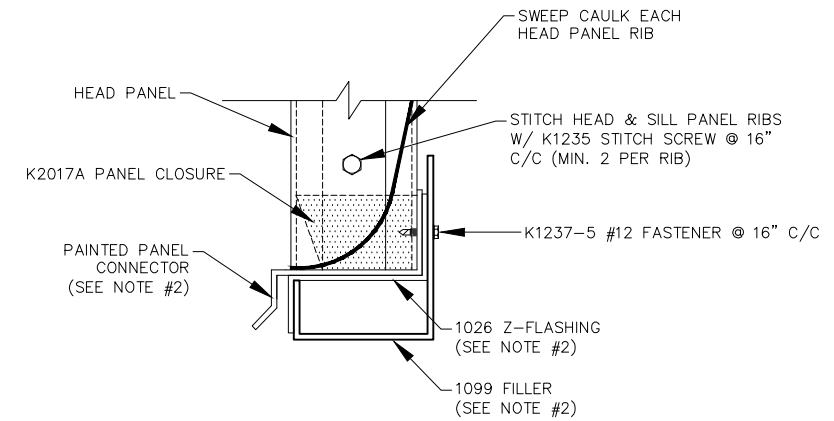
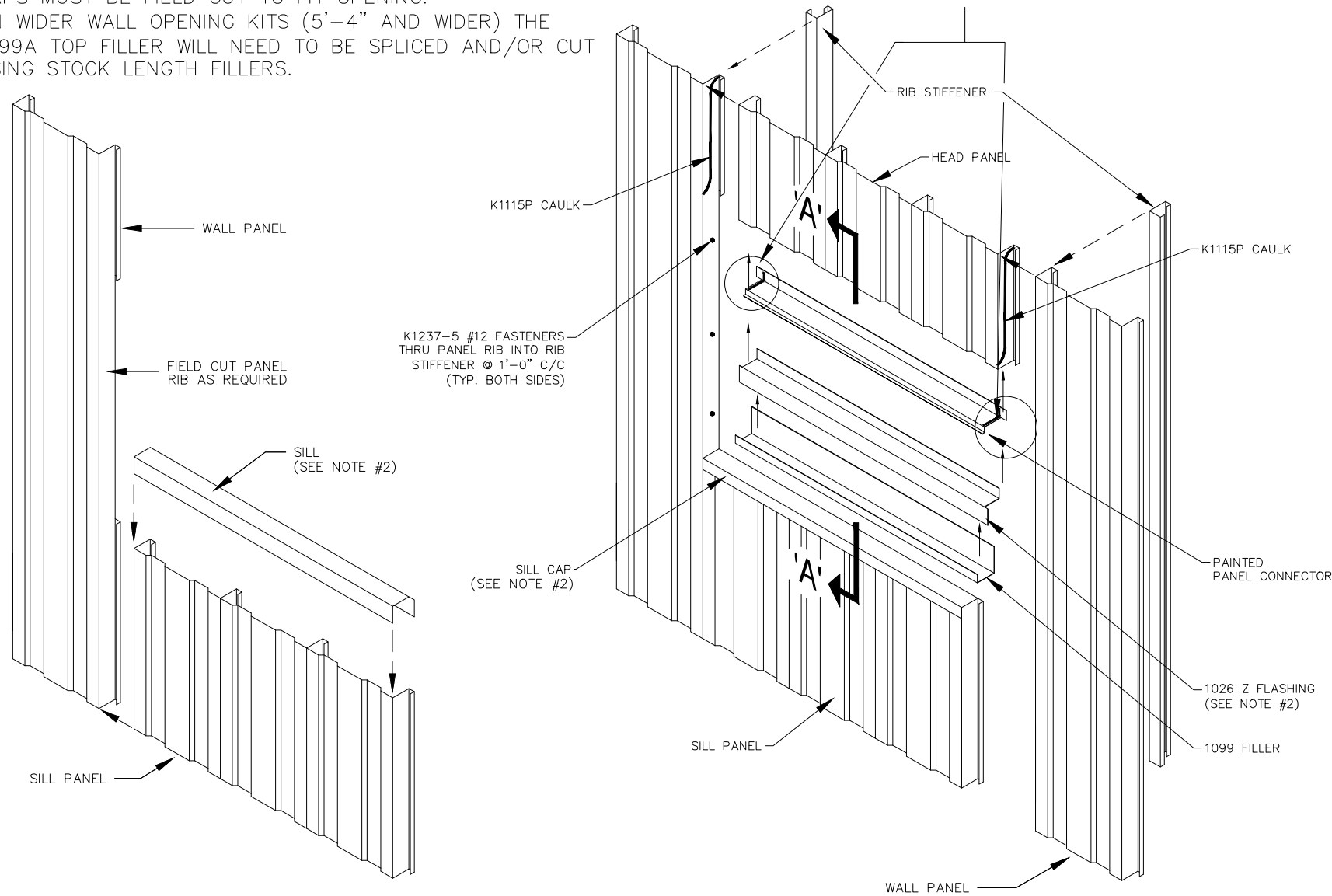


**TYPICAL SECTION @ PANEL CONNECTOR**

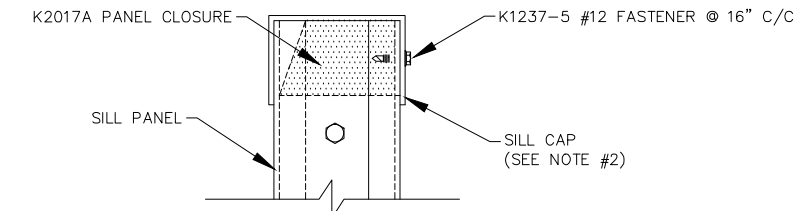
**NOTES:**

- 1). WALL OPENING KITS FOR CUSTOMER SUPPLIED ACCESSORIES MUST BE FIELD LOCATED, CUT AND FLASHED UNLESS PRIOR ARRANGEMENTS ARE MADE WITH PARKLINE. FOR FACTORY CUTTING OF THESE OPENINGS, THE EXACT LOCATION AND FINISHED OPENING SIZES MUST BE PROVIDED TO PARKLINE.
- 2). FOR NON STANDARD WIDTH WALL OPENING KITS STOCK LENGTH PANEL CONNECTORS, 'Z' FLASHING FILLER AND SILL CAPS MUST BE FIELD CUT TO FIT OPENING.
- 3). ON WIDER WALL OPENING KITS (5'-4" AND WIDER) THE 1099A TOP FILLER WILL NEED TO BE SPLICED AND/OR CUT USING STOCK LENGTH FILLERS.

**MAKE SURE TO CAULK EACH END OF PANEL CONNECTOR TO LEFT AND RIGHT WALL PANEL RIBS AFTER PANEL CONNECTOR IS IN PLACE.**



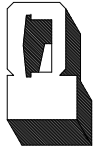
**SECTION 'A' (ASSEMBLED)**  
(FOR 1'-4" , 2'-8" & 4'-0" WIDE)



**SECTION 'A' (ASSEMBLED)**  
(FOR 5'-4" & 6'-8" WIDE)

REVISIONS	BY
1-30-95	JEH
10-16-95	CEM
11-8-95	EAB
7-14-97	CBP
2-26-03	DLR
01-18-05	RAP
12-20-07	RAP
06-30-10	RAP
08-24-10	RAP
02-30-12	TLC

**PARKLINE, INC.**  
RT. 62, ELEANOR INDUSTRIAL PARK  
ELEANOR, WV 25070  
EMAIL: [PARTLINE@PARKLINE.COM](mailto:PARTLINE@PARKLINE.COM)  
PHONE: 800-786-4855  
FAX: 304-586-3842  
ENGINEER: TOM HARDING  
[THARDING@PARKLINE.COM](mailto:THARDING@PARKLINE.COM)



**BASIC WALL OPENING KIT  
INSTALLATION DETAILS**

**SECTIONS AND DETAILS**

DATE	12-15-94
DRAWN BY	KRK
SCALE	NTS
ORDER NO.	
REVISION	<b>13</b>

**WOK**