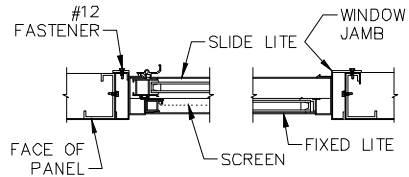
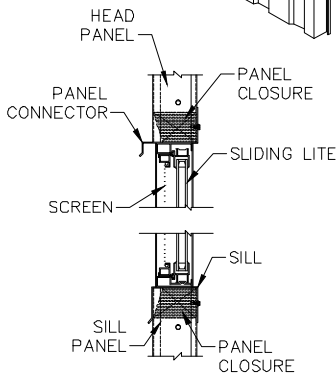
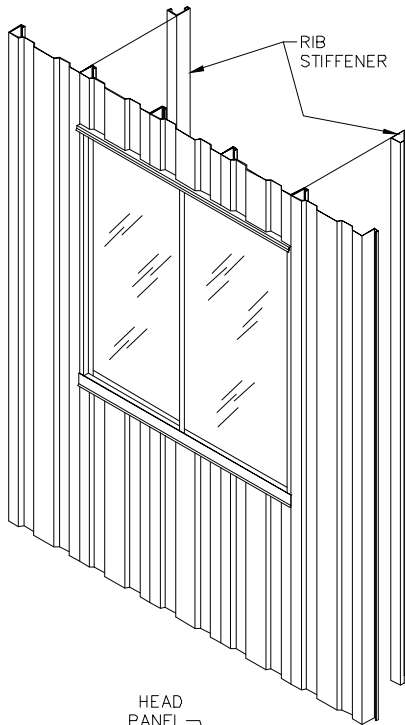


4'-0" x 4'-0" HORIZONTAL SLIDING WINDOW
WINDOW w/ 1/4" CLEAR WIRE GLAZING



SECTION THRU WINDOW
(TOP VIEW)



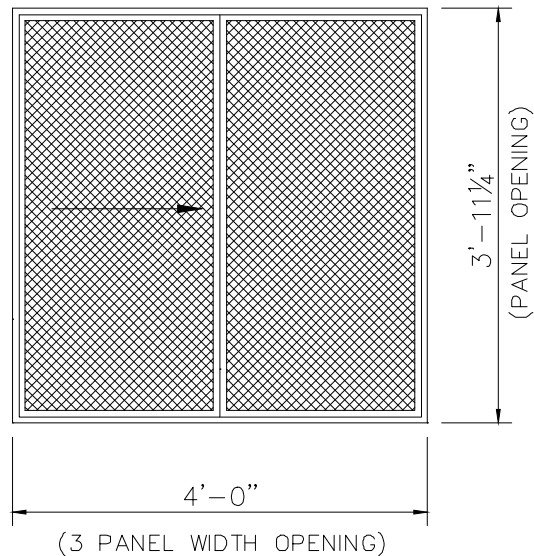
SECTION THRU WINDOW
(SIDE VIEW)

PRODUCT DESCRIPTION

4'-0" x 4'-0" SLIDING WINDOW
W/ 1/4" CLEAR WIRE GLAZING

Sliding windows shall be furnished factory glazed with 1/4" clear wire glazing and complete with all attaching hardware and screen. The window unit shall be factory assembled for single unit installation.

All window sash sections shall be of 6063-T5 extruded aluminum and shall be color finished in white or bronze baked enamel. Windows shall meet or exceed Architectural Aluminum Manufacturers Association HS-C20 ANSI/AAMA 101-88 and AAMA 1302.5-76 specifications.



- NOTES:**
1. - Refer to Floor Plan and Elevation Drawing for exact size and location of accessories.
 2. - Standard height to top of window is 7'-2".



A - WS-CW-4040