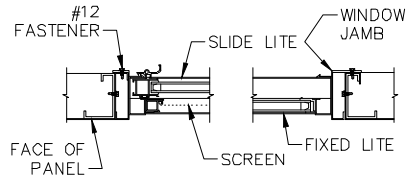
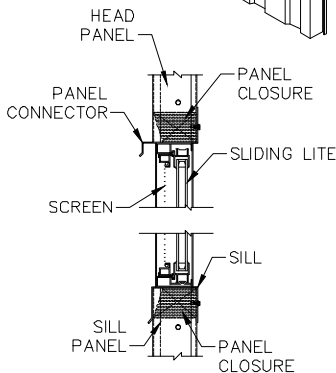
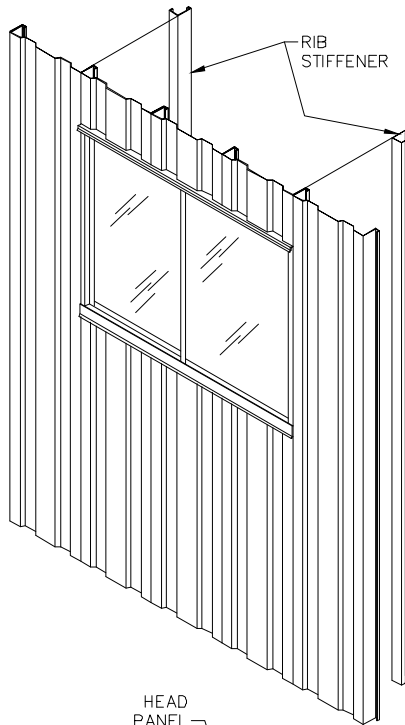


4'-0" x 3'-0" HORIZONTAL SLIDING WINDOW
w/ 5/8" INSULATED GLAZING



SECTION THRU WINDOW
(TOP VIEW)



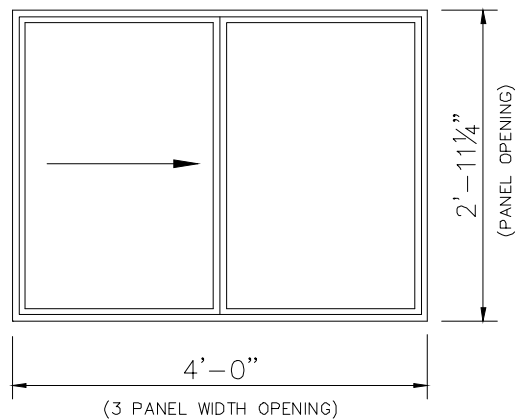
SECTION THRU WINDOW
(SIDE VIEW)

PRODUCT DESCRIPTION

4'-0" x 3'-0" SLIDING WINDOW
W/ 5/8" INSULATED GLAZING

Sliding windows shall be furnished factory glazed with 5/8" insulated glazing and complete with all attaching hardware and screen. The window unit shall be factory assembled for single unit installation.

All window sash sections shall be of 6063-T5 extruded aluminum and shall be color finished in white or bronze baked enamel. Windows shall meet or exceed Architectural Aluminum Manufacturers Association HS-C20 ANSI/AAMA 101-88 and AAMA 1302.5-76 specifications.



- NOTES:**
1. - Refer to Floor Plan and Elevation Drawing for exact size and location of accessories.
 2. - Standard height to top of window is 7'-2".



A - WS-IS-4030