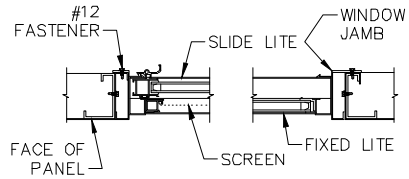
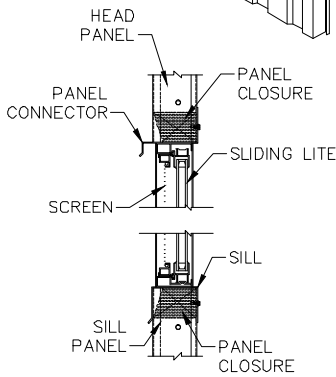
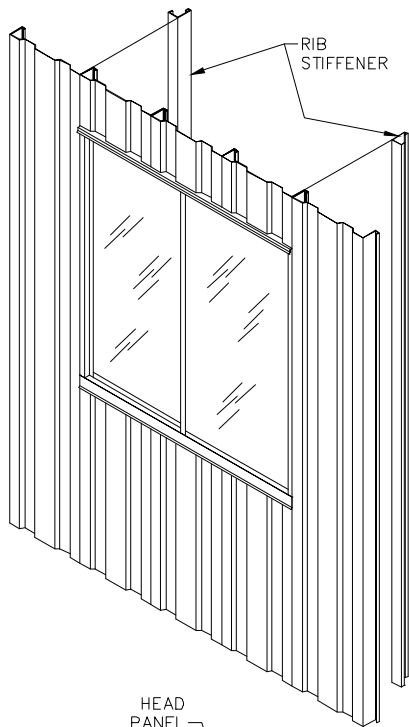


**4'-0" x 4'-0" HORIZONTAL SLIDING WINDOW**  
w/ 1/4" OBSCURE GLAZING



**SECTION THRU WINDOW**  
 (TOP VIEW)



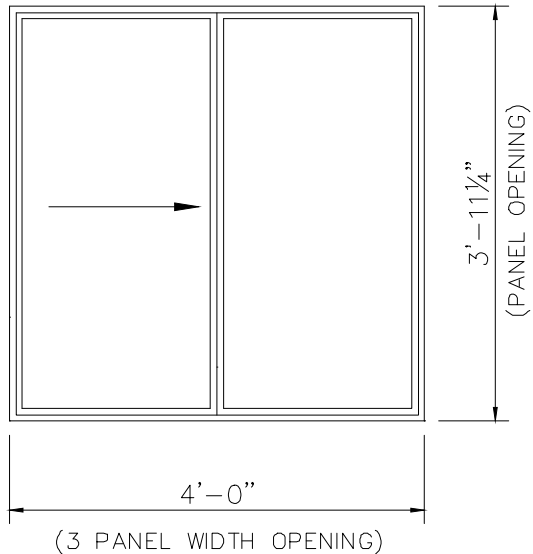
**SECTION THRU WINDOW**  
 (SIDE VIEW)

**PRODUCT DESCRIPTION**

4'-0" x 4'-0" SLIDING WINDOW  
W/ 1/4" OBSCURE GLAZING

Sliding windows shall be furnished factory glazed with 1/4" obscure glazing and complete with all attaching hardware and screen. The window unit shall be factory assembled for single unit installation.

All window sash sections shall be of 6063-T5 extruded aluminum and shall be color finished in white or bronze baked enamel. Windows shall meet or exceed Architectural Aluminum Manufacturers Association HS-C20 ANSI/AAMA 101-88 and AAMA 1302.5-76 specifications.



- NOTES:**
1. - Refer to Floor Plan and Elevation Drawing for exact size and location of accessories.
  2. - Standard height to top of window is 7'-2".



A - WS-OB-4040