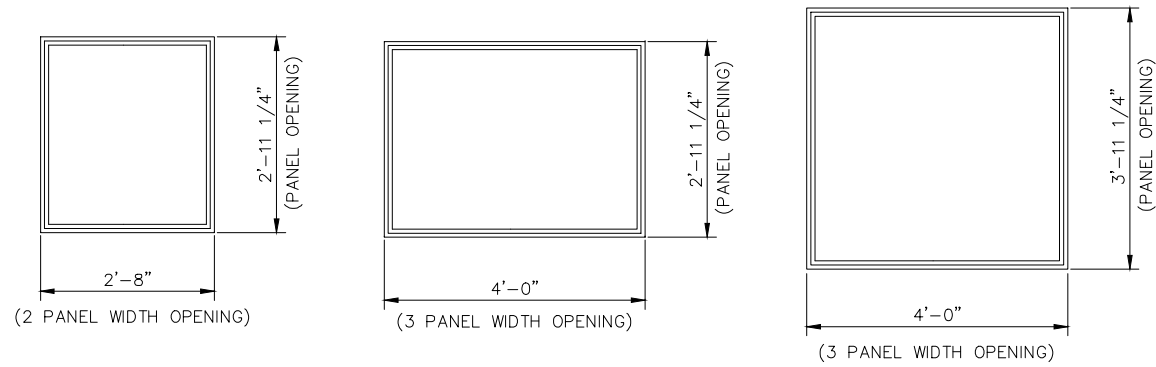


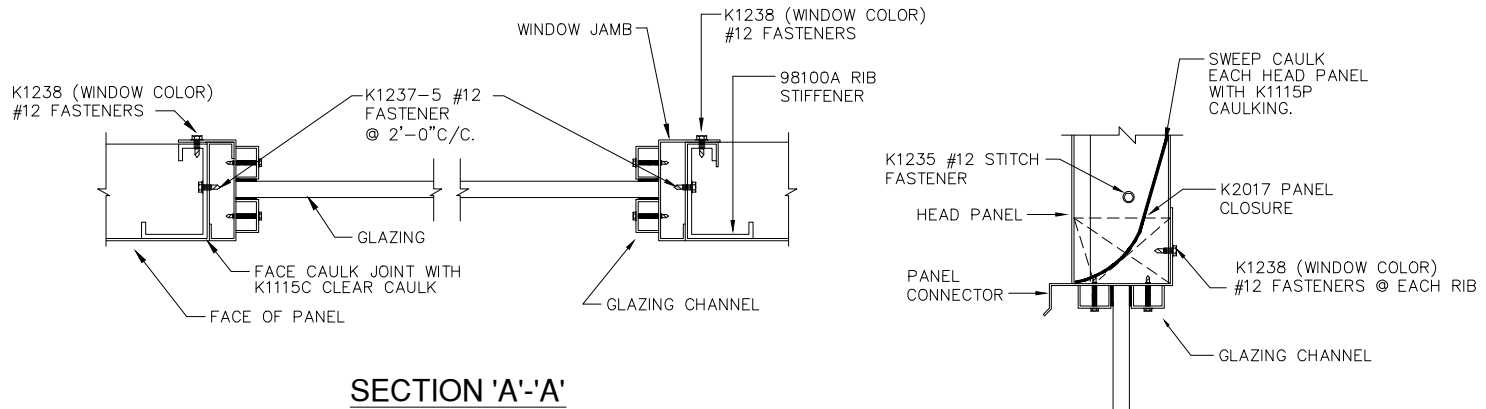
# STANDARD FIXED LITE WINDOWS



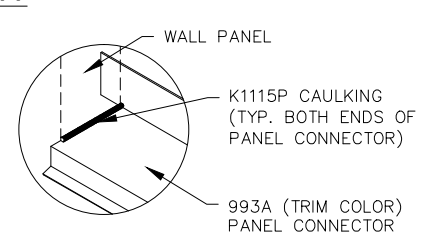
**2830**

**4030**

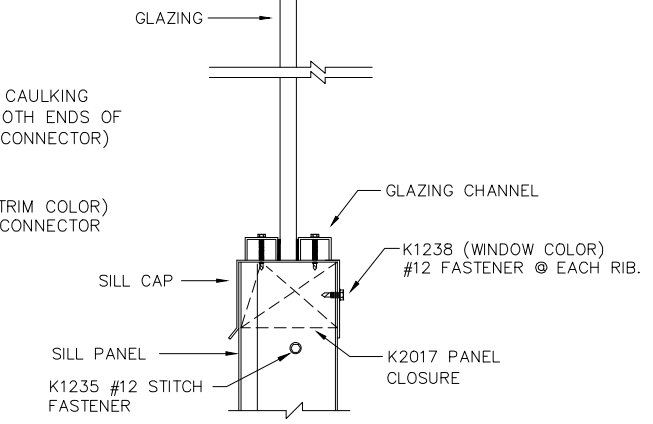
**4040**



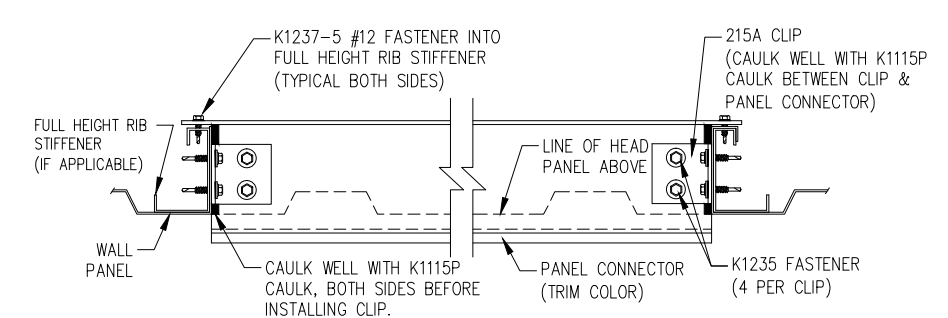
**SECTION 'A-A'**



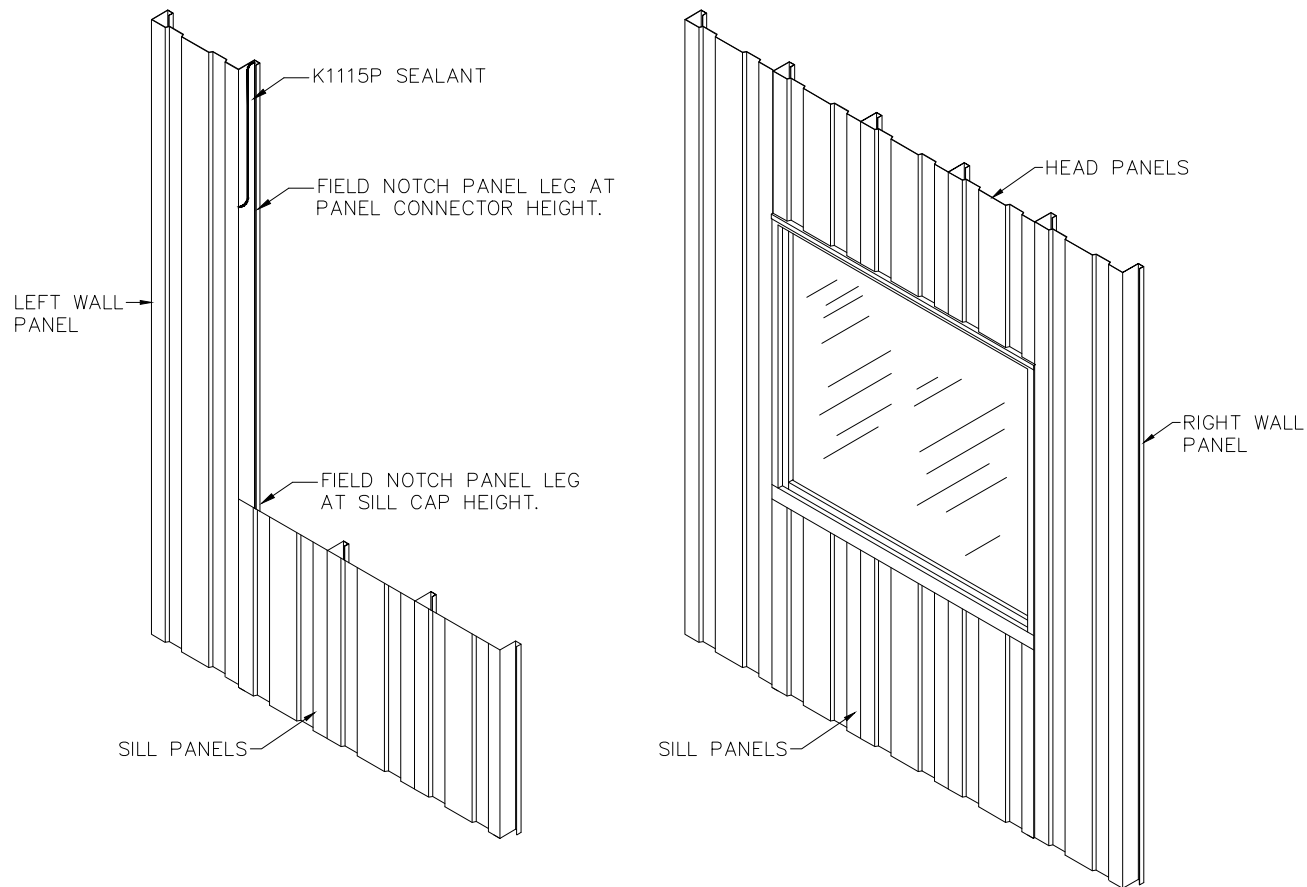
**CAULKING DETAIL**



**SECTION 'B-B'**



**TYPICAL SECTION @ PANEL CONNECTOR**



**STEP '1'**

AT DESIRED WINDOW LOCATION, INSTALL SILL PANELS. FIELD NOTCH LEFT WALL PANEL RIBS AT PANEL CONNECTOR AND SILL CAP HEIGHTS. SWEEP CAULK LEFT WALL PANEL RIB AS SHOWN.

**STEP '2'**

PLACE WINDOW UNIT IN WALL. SWEEP CAULK EACH HEAD PANEL RIBS AND INSTALL. SWEEP CAULK RIB OF LAST HEAD PANEL BEFORE INSTALLING THE RIGHT WALL PANEL.

**STEP 3**

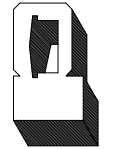
MAKE SURE WINDOW IS SQUARE AND PLUMB. INSTALL RIB STIFFENERS AND FASTEN AS SHOWN IN **SECTION 'A-A'**. ATTACH WINDOW TO PANELS AS SHOWN IN **SECTION 'A-A'** AND **SECTION 'B-B'**. ATTACH HEAD AND SILL PANEL RIBS TOGETHER WITH K1235 STITCH FASTENERS AT 16" C/C (MINIMUM OF 2 PER RIB). CAULK EACH END OF PANEL CONNECTOR AT LEFT AND RIGHT WALL PANEL RIBS AS SHOWN IN **CAULKING DETAIL**. FACE CAULK JOINT BETWEEN WALL PANEL AND WINDOW FRAME WITH K1115C CLEAR CAULK. TAKE CARE TO MAINTAIN FINISHED APPEARANCE.

**NOTES:**

- FIXED WINDOWS COME FACTORY ASSEMBLED AND INCLUDES GLAZING AND INTEGRAL FRAME.
- WINDOWS ARE AVAILABLE IN ARCTIC WHITE OR ROMAN BRONZE FINISH AND MATCH STANDARD TRIM COLORS.
- GLAZING OPTIONS INCLUDE:
  - 5/8" INSULATED GLASS (STANDARD)
  - 1/4" POLISHED (CLEAR) WIRE
  - 1/4" POLYCARBONATE
  - 1/4" ACRYLIC
  - 1/4" TEMPERED

REVISIONS	BY
01-23-03	CBP
02-26-03	DLR
01-27-05	DLR
11-02-06	BHJK
03-16-11	TLC
02-23-12	TLC

**PARKLINE, INC.**  
 RT. 62, ELEANOR INDUSTRIAL PARK  
 ELEANOR, WY 25070  
 EMAIL: [MARKLINE@PARKLINE.COM](mailto:MARKLINE@PARKLINE.COM)  
 PHONE: 800-786-4855  
 FAX: 304-586-3842  
 ENGINEER: TOM HARDING  
[THARDING@PARKLINE.COM](mailto:THARDING@PARKLINE.COM)



JOB DESCRIPTION  
**FIXED SASH WINDOW  
 INSTALLATION**

SHEET TITLE  
**SECTIONS AND DETAILS**

DATE	5-8-00
DRAWN BY	DLR
SCALE	NTS
ORDER NO.	
REVISION	6

**WINDO-FIX**