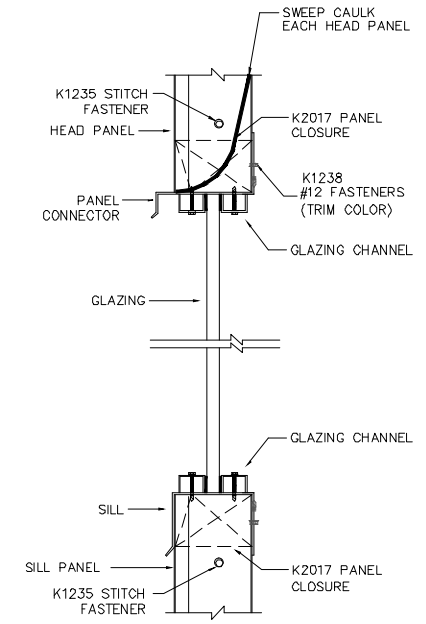


MAKE SURE TO CAULK EACH END OF PANEL CONNECTOR TO LEFT AND RIGHT WALL PANEL AFTER PANEL CONNECTOR IS IN PLACE. (BUILD "CAULK DAM" AT NOTCH)



SECTION 'B'-'B'

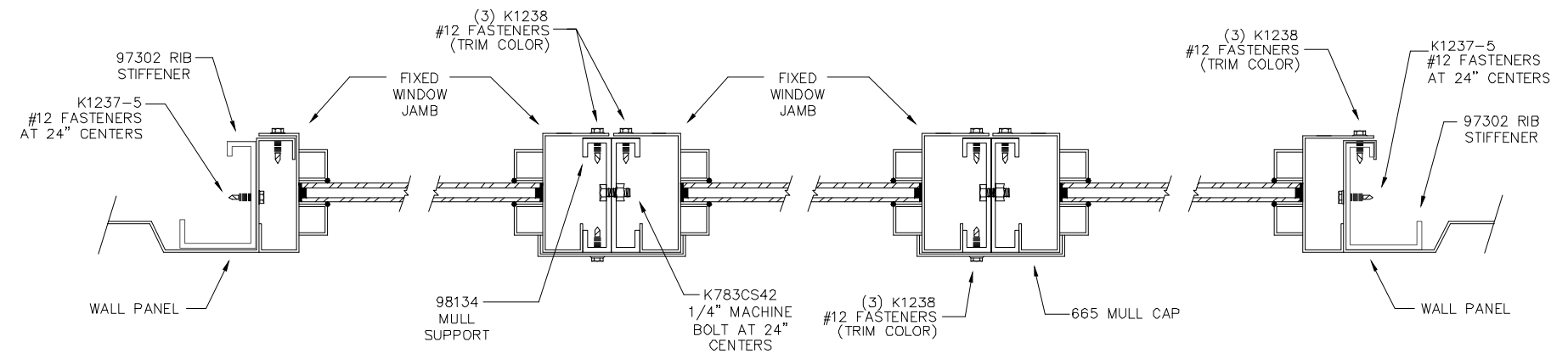
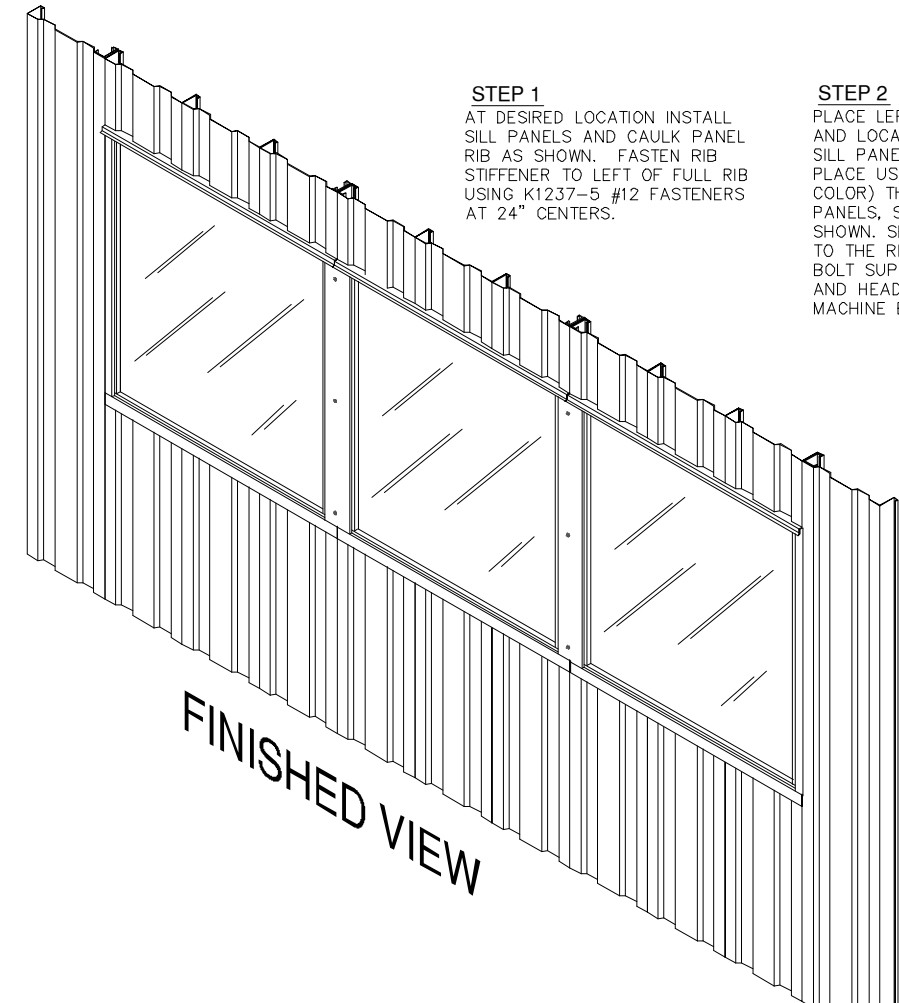
**STEP 1**  
AT DESIRED LOCATION INSTALL SILL PANELS AND CAULK PANEL RIB AS SHOWN. FASTEN RIB STIFFENER TO LEFT OF FULL RIB USING K1237-5 #12 FASTENERS AT 24" CENTERS.

**STEP 2**  
PLACE LEFT FIXED WINDOW ON SILL AND LOCATE MULL SUPPORT LEFT OF SILL PANEL RIB. FASTEN WINDOW IN PLACE USING (3) K1238 #12 FASTENERS (TRIM COLOR) THRU WINDOW JAMB. INSTALL HEAD PANELS, SWEEP CAULKING EACH RIB AS SHOWN. SET SECOND MULL SUPPORT IN PLACE TO THE RIGHT OF SILL PANEL RIB AND BOLT SUPPORTS TOGETHER THRU SILL AND HEAD PANEL RIBS USING K783CS42 MACHINE BOLTS. @ 24" C/C.

**STEP 3**  
(REQUIRED ONLY WHEN MULLING MORE THAN 2 WINDOWS)  
PLACE CENTER FIXED WINDOW ON SILL AND LOCATE MULL SUPPORT LEFT OF SILL PANEL RIB. FASTEN WINDOW IN PLACE USING (3) K1238 #12 FASTENERS (TRIM COLOR) THRU WINDOW JAMB. INSTALL HEAD PANELS, CAULKING EACH RIB AS SHOWN. SET SECOND MULL SUPPORT IN PLACE TO THE RIGHT OF SILL PANEL RIB AND BOLT SUPPORTS TOGETHER THRU SILL AND HEAD PANEL RIBS USING K783CS42 MACHINE BOLTS. @ 24" C/C.

**STEP 4**  
PLACE RIGHT FIXED WINDOW ON SILL FASTEN WINDOW IN PLACE USING (3) K1238 #12 FASTENERS (TRIM COLOR) THRU WINDOW JAMB. INSTALL HEAD PANELS, CAULKING EACH RIB AS SHOWN. INSTALL NEXT FULL PANEL IN PLACE AND INSTALL RIB STIFFENER TO THE RIGHT OF FULL PANEL RIB. FASTEN USING K1237-5 #12 FASTENERS AT 24" CENTERS.

**STEP 5**  
INSTALL MULL CAP OVER MULLED JAMBS AND ATTACH WITH (3) K1238 #12 FASTENERS (TRIM COLOR)



SECTIONAL VIEW

REVISIONS	BY
10-30-97	CBP
02-26-03	DLR
01-27-05	DLR

PARKLINE, INC.  
P O Box 65 Winfield, WV 25213  
phone: (304) 586-2113

JOB DESCRIPTION  
**MULTIPLE FIXED WINDOW INSTALLATION**  
SHEET TITLE  
DETAILS

DATE 12-23-97  
DRAWN BY JEH  
SCALE N.T.S  
ORDER NO.  
REVISION 3  
DWG. NO.  
**WINDO-FXM**