

STEP '1'

- 1A) AT DESIRED WINDOW LOCATION, INSTALL SILL PANELS AND CAULK PANEL RIB AS SHOWN IN STEP '1' OF DRAWING WNDO-SLD.
- 1B) INSTALL RIB STIFFENER AND FASTEN TO PANEL RIB WITH #12 FASTENERS @ 2'-0" C/C. (DO NOT FASTEN @ HEAD PANEL LOCATION)

STEP '2'

- 2A) NOTCH WINDOW ASSEMBLY @ HEAD AND SILL TO MISS 98134 SUPPORT IF REQUIRED. (SEE CHART 'A' & SECTION 'B').
- 2B) PLACE WINDOW, 98134 SUPPORT (IF REQUIRED), AND HEAD PANELS IN WALL. SWEEP CAULK EACH HEAD PANEL.
- 2C) FASTEN WINDOW ASSEMBLY TO WALL PER SECTION 'A' AND SECTION 'A'-'A'.
- 2D) FASTEN HEAD & SILL PANEL RIBS TOGETHER WITH #12 FASTENERS @ 16" C/C (MINIMUM 2 PER PANEL).
- 2E) (FIRST WINDOW ONLY) FASTEN RIB STIFFENER HEAD PANELS.

STEP '3'

- 3A) INSTALL SILL PANELS FOR NEXT WINDOW.
- 3B) NOTCH WINDOW ASSEMBLY @ HEAD & SILL TO MISS 98134 SUPPORT BOTH SIDES (IF REQUIRED) SEE CHART 'A' AND SECTION 'B'.
- 3C) CAULK SIMILAR TO STEP '1' OF DRAWING WNDO-SLD.
- 3D) *INSTALL 98134 SUPPORT, WINDOW, SECOND 98134 SUPPORT (IF REQUIRED) AND HEAD PANELS.
- 3E) FASTEN WINDOW PER SECTION 'B' & 'A'-'A'.
- 3F) REPEAT STEP 2D.
- 3G) REPEAT STEP 3C.

STEP '4'

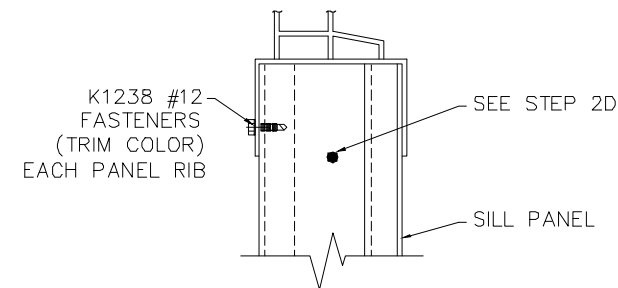
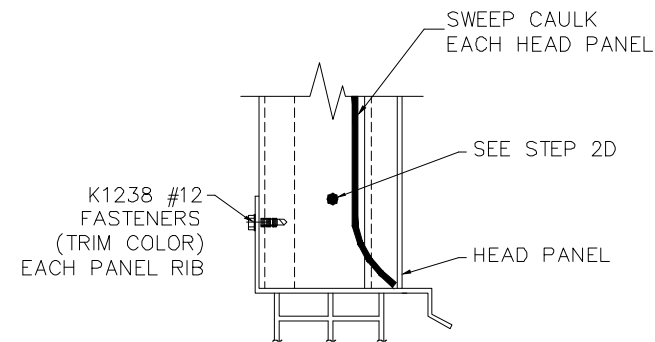
- 4A) REPEAT STEP '3' FOR EACH ADDITIONAL WINDOW.
- 4B) INSTALL FULL PANEL AND RIB STIFFENER. FASTEN PER SECTION 'C'.
- 4C) *SECOND 98134 SUPPORT NOT REQUIRED ON LAST WINDOW (SEE SECTION 'C').

REVISIONS	BY

CHART 'A'

BUILDING TYPE	BUILDING HEIGHT		
	8'	10'	12'
S2, AL2	1	2	2
S2C, AL2C	2	2	N.A.
S3, AL3	1	2	2
S4, AL4	1	2	2

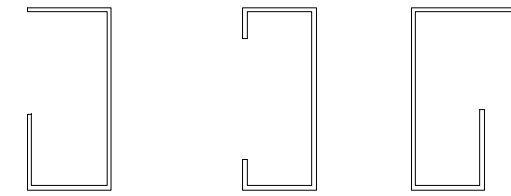
NUMBER OF 98134 SUPPORTS REQUIRED @ EACH SECTION 'B'.



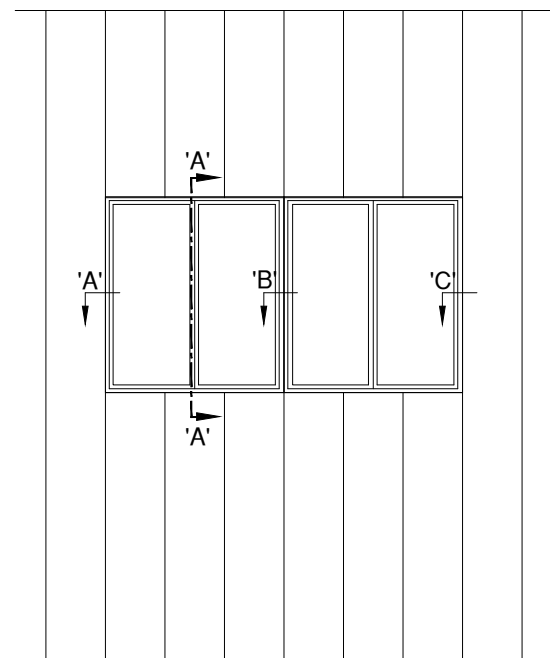
SECTION 'A'-'A'

NOTE:

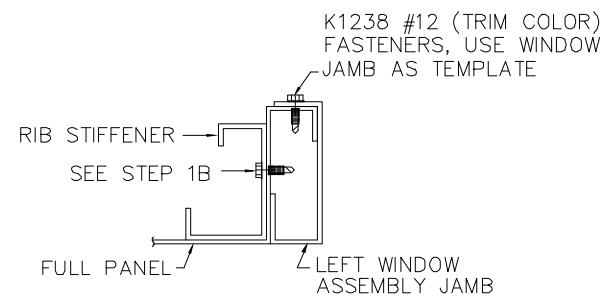
THIS DRAWING IS TO BE USED IN CONJUNCTION WITH DWG WNDO-SLD WHERE THE TWO DIFFER, THIS DRAWING SHALL GOVERN.



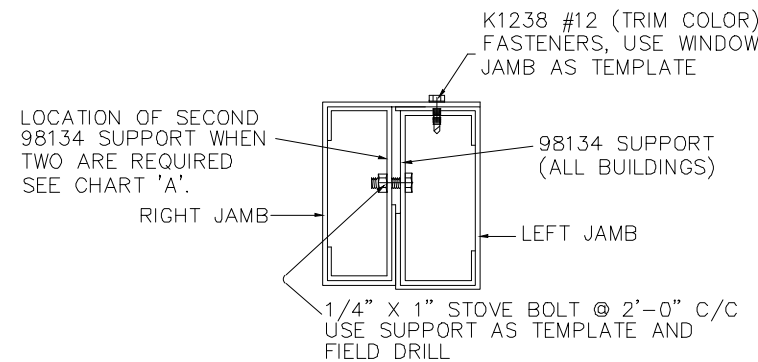
LEFT JAMB 98134 SUPPORT RIGHT JAMB



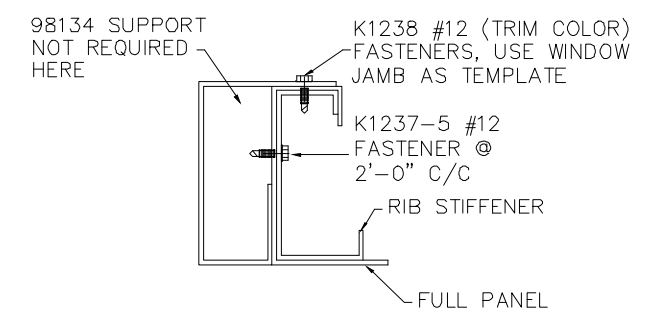
ELEVATION



SECTION 'A'



SECTION 'B'



SECTION 'C'

PARKLINE, INC.
 P O Box 65 Winfield, WV 25213
 phone: (304) 586-2113

JOB DESCRIPTION: **MULLED HORIZONTAL SLIDING WINDOW DETAILS**
 SHEET TITLE: **DETAILS**

DATE	01-27-05
DRAWN BY	DLR
SCALE	N.T.S
ORDER NO.	
REVISION	0
DWG. NO.	WNDO-SLD-M